

# User's Manual

Congratulations on your new purchase of a Headrest Entertainment system. Please take a moment to fully review this owner's manual thoroughly prior to the initial operation, which will provide you with the best understanding to properly operate your new Headrest Entertainment system.

## Description of Buttons



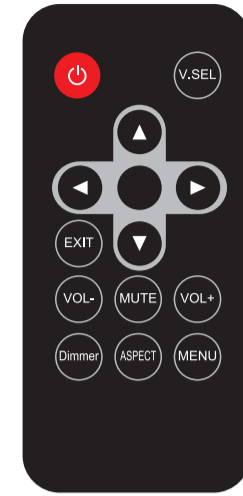
POWER	Power ON/OFF
DIMMER	Dimmer ON/OFF
V.SEL	Video Mode Seiection
MENU	Menu OSD Display
<	VOL -
>	VOL +
ASPECT	16:9/4:3 Display Change
MUTE	Mute ON/OFF

\*Volume Default is 17 and volume can be adjust from 0 ~ 20



Wired Earphone input

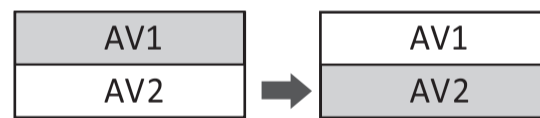
## Description of remote control



POWER	Power ON/OFF
V.SEL	Video Mode Selection
EXIT	EXIT from MENU
▲	Cursor UP
▼	Cursor Down
◀	Cursor Left
▶	Cursor Right
VOL-	Volume Down
VOL+	Volume Up
ENTER	Function Select
MUTE	Mute ON/OFF
DIMMER	Dimmer ON/OFF
ASPECT	16:9/4:3 Display Change
MENU	Menu OSD Display

## How to change Video Sources

This unit has 2 different Modes. AV and AV 2



1. AV1  
1) AV1 input locate on the DIN to RCA cable
- 2) This input designed for slave external devices such as TV tuner or Game console.

2. AV 2  
1) AV 2 input locate on the DIN to RCA cable
- 2) This input designed for slave external devices such as TV tuner or Game console.

## MENU

BRIGHT	50
CONTRAST	50
COLOR	50
ASPECT	16:9
IR	A
VOL	17
RESET	▶
EXIT	▶

Please refer Monitor MENU adjust as below

MENU	Value Adjust	Default Setting
BRIGHT	0~ 100	50
CONTRAST	0~ 100	50
COLOR	0~ 100	50
ZOOM	16:9 and 4:3	16:9
IR	A, B and OFF	A
RESET	Press >	
EXIT	Press >	

BRIGHT:Picture brightness control  
 CONTRAST:Picture contrast contro  
 COLOR:Picture color adjust  
 ZOOM:16:9,4:3 aspect adjust  
 IR:Wireless headphone channel selection  
 RESET:Back to factory setting  
 EXIT:Exit from the MENU

## Important Safety Instructions

**CAUTION** PLEASE READ AND OBSERVE ALL WARNINGS AND INSTRUCTIONS IN THIS OWNER'S MANUAL AND THOSE MARKED ON THE UNIT. RETAIN THIS BOOKLET FOR FUTURE REFERENCE. This set has been designed and manufactured to assure personal safety. Improper use can result in electric shock or fire hazard. The safeguards incorporated in this unit will protect you if you observe the following procedures for installation, use and servicing. This unit is fully transistorized and does not contain any parts that can be repaired by the user.

**WARNING**

DO NOT attempt to operate if picture fails or no sound is heard. Stop using the unit and turn it off immediately if there is any smoke or burning smell. If unit is damaged, it could cause fire or electrical shock.

This product is designed for DC 12V. It is recommended to check with a trained "Authorized Dealer" for using this unit in a RV, truck or bus application.

DO NOT install unit where it may obstruct driver's sight or cause possible injury to passengers. DO NOT allow installation to interfere with normal vehicle operations. Wiring and installation should not interfere with the brake pedal, steering wheel or transmission shift lever.

DO NOT remove any screws or hardware from vehicle to install products.

**WARNING**

Inspect any vehicle areas before drilling any holes for mounting or wiring of unit. Make sure to check behind installation area to prevent damaging any existing vehicle wiring or other connections. Failure to do so could result in vehicle malfunction or impaired vehicle operation.

All wiring must be routed safely and should not distract the driver's attention during normal operating conditions. DO NOT allow wiring to interfere with operation of the vehicle's brake pedal, shift lever or steering wheel.

DO NOT out or modify any DIN cables with fuse built-in. This could render such protective circuit inactive and potentially result in permanent damage to the unit or vehicle. Make sure both DIN cable and other wiring is not run where it may be cut or damaged.

The slots and openings in the unit is provided for necessary ventilation. These must not be blocked to ensure reliable operation.

**CAUTION**

For the best results, follow wiring diagram for products a shown in the manual. Do not place unit on uneven or unstable surfaces, avoid dusty areas and unsealed doors, or openings where water may be splashed.

DO NOT watch the unit while driving. Distracting the driver from proper operation of the vehicle can result in possible accident or injury. Proper installation allow the driver to only watch TV when the vehicle is stopped and the parking brake is applied.

DO NOT disassemble or modify the product as it may cause accident, fire or electrical shock.

Use provided parts. Over-sized hardware may cause an electrical short or result in product not being mounted securely.

Use correct voltage batteries only. Make sure to insert batteries observing correct polarity. Using old and new batteries is not recommended. Keep small objects such as batteries out of the reach of children. Swallowing them may result in serious injury.

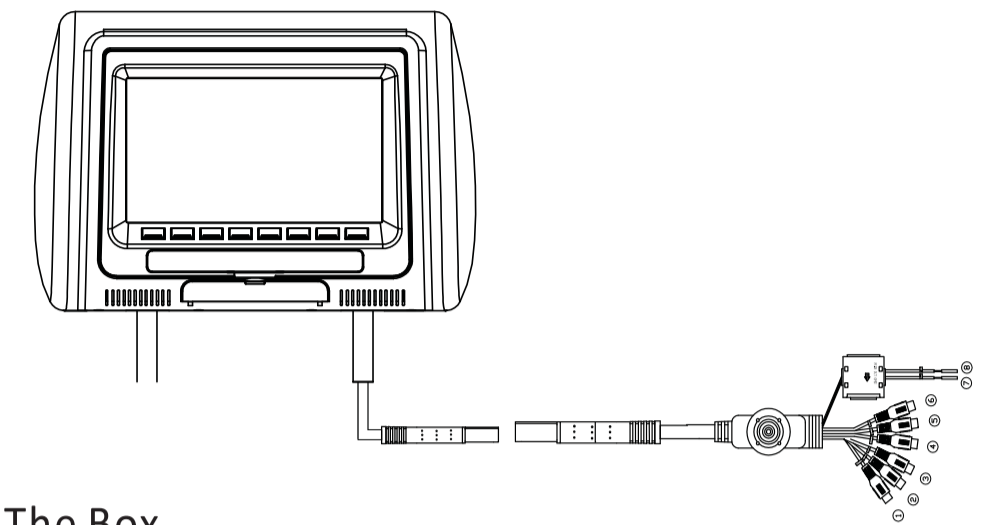
Keep the remote control in safe place when not in use to insure that the remote control dose not interfere with the vehicle operation if it is dropped or shifts while driving.

Set the volume to a moderate level, which will not prevent your hearing outside noises such as emergency vehicles.

DO NOT Install antennas where they could cause unexpected accident or injury to pedestrians.

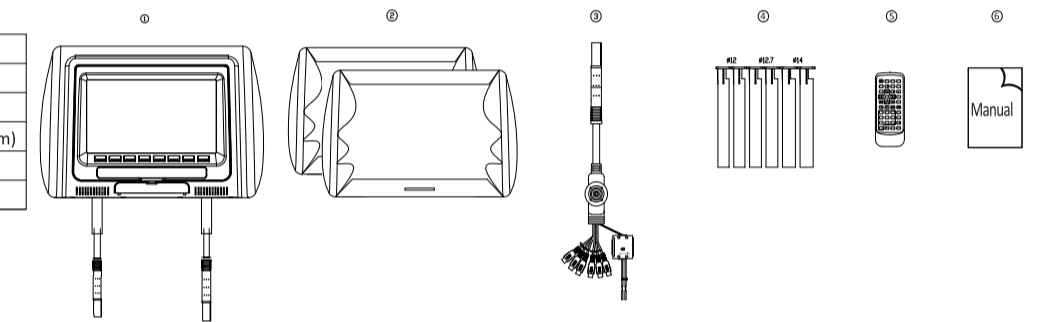
## Wiring Diagram

- 1 AV1 Video In
- 2 AV1 Audio L In
- 3 AV1 Audio R In
- 4 AV2 Video In
- 5 AV2 Audio L In
- 6 AV2 Audio R In
- 7 ACC
- 8 Ground



## Materials On The Box

- 1 Headrest Monitor
- 2 Beige cover and Gray cover
- 3 DIN to RCA cable
- 4 Pipe Adaptors(12/12.7/14mm)
- 5 Remote Control
- 6 User's Manual



## General Specifications

No	Functions	7" Wide Headrest	9" Wide Headrest
1	Power	DC 12V (11V ~ 16V)	DC 12V (11V ~ 16V)
2	LCD Screen	7" Wide	9" Wide
3	Resolution	800 X RGB X 480	800 X RGB X 480
4	Aspect Ratio	16:9	16:9
5	AV Inputs	2AV input	2AV input
6	Video Input Level	1Vp-p,75 ohm (Composite)	1Vp-p,75 ohm (Composite)
7	IR Frequency (A Ch.)	2.3MHz / 2.8MHz	2.3MHz / 2.8MHz
8	IR Frequency (B Ch.)	3.2MHz / 3.8MHz	3.2MHz / 3.8MHz
9	IR Transmitter range	1m +- 30 degree	1m +- 30 degree
10		3m +- 15 degree	3m +- 15 degree
11	Post Diameter	10mm Post with 12/12.7/14mm Post adaptors	10mm Post with 12/12.7/14mm Post adaptors
12	Posts distance	Adjustable 110mm ~ 210mm	Adjustable 110mm ~ 210mm
13	Remote Control	Full function remote control included	Full function remote control included
14	Wire Headphone output	On the Front Panel	On the Front Panel
15	Wireless heaphone Suport	Yes	Yes
16	Color Choices	Black,Beige,Gray	Black,Beige,Gray