



# SOUNDSTREAM



**BASS XTREME**

***OWNERS MANUAL***

Thank you for choosing Soundstream subwoofers, designed & engineered in the U.S.A. This product combines innovative technology with the finest materials to consistently deliver absolutely state of the art performance, sound quality, reliability, and value. This Bass Xtreme subwoofer reflects our commitment to offer you unparalleled performance and quality for years of dependable service and listening enjoyment.

Complimenting Bass Xtreme amplifiers, 2019's BXW-12 woofers combine extreme performance and affordability. Each 12" woofer has a 4-layer 2" dual 4-ohm voice coil, with spruce paper cones attached to foam surrounds to keep the momentum in check. Double-stack 114oz magnet motor structure provide the energy to get'em jumpin'. Each woofer can handle 800w RMS, and 2,400w peak.

## FEATURES, PARAMETERS, & SPECIFICATIONS

- Overcompensating Motor Structure for Increased Magnetic Strength
- 10mm T-Yoke & Top Plate Improve Low Frequency Dynamics
- Vented T-Yoke & Frame Reduces Voice Coil Heat Build-up
- 2" 4-Layer Voice Coil w/ Spring Loaded Compression Wire Terminals
- High-Temperature Tolerance Adhesives Resist Thermal Failure
- Spruce Pulp Cone w/ UV & Chemical Protection
- Sitched and Glued Surround/Cone Joints for Strongest Bond
- Extended Excursion Polyether Foam Surround w/ UV & Chemical Protection
- Poly-Cotton Suspension Dampen Violent Accelerations
- 1-pc Gasket/Trim Ring w/ Concealed Mounting Holes Included

Specification	BXW-124
$F_s$ (Hz)	31.5
$Q_{ms}$	4.22
$V_{as}$ (ft <sup>3</sup> )	2.68
$C_{ms}$ (mm/N)	.21
$M_{ms}$ (g)	121.1
$X_{max}$ (mm)	8
$X_{mech}$ (mm)	18
$Q_{es}$	.677
$R_e$ ( $\Omega$ )	7.0
$Z$ ( $\Omega$ )	8
$BL$ (Tm)	16.1
MAX Power	2,400w
RMS Power	800w
$Q_{ts}$	.56
NO (%)	.35
Efficiency (1w/1m)	87.5dB
Impedance	DVC 4 $\Omega$

# BASS XTREME

**Vehicle conditions, amplifier, music preferences, & other variables make it difficult to give you exact dimensions for an enclosure design. For enclosure designs tailored to your specific needs, please contact us at [tech-support@soundstream.com](mailto:tech-support@soundstream.com), or 1-800-724-1377.**

**All enclosures should be made of .75" (3/4") material only. When possible, make the baffle 1.5" (1 1/2) thick and add .75" (3/4") to the depth of the enclosure to compensate. All volumes INCLUDE vent/port and subwoofer displacements. DO NOT change the volume unless you plan on adding a substantial amount of bracing. For added performance, applying a coat of fiberglass resin to the interior walls will greatly improve sealing the enclosure. Adding a thin layer of poly-fill will improve response by smoothing out reflections within the enclosure.**

**Below are recommended enclosure designs and their expected performance:**

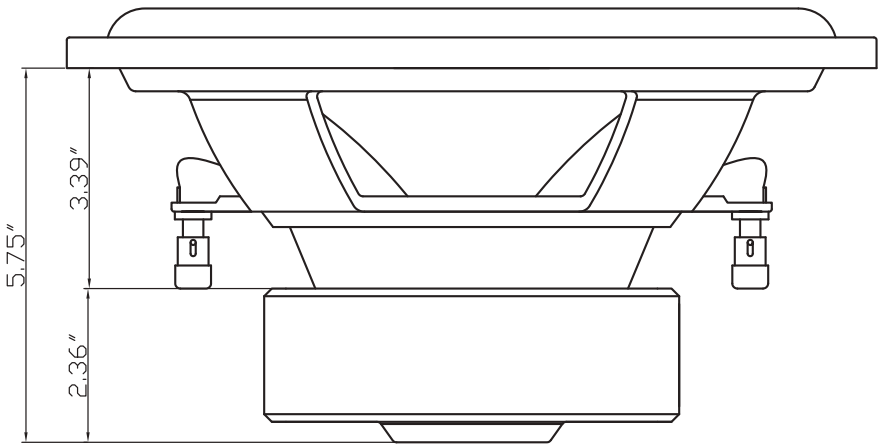
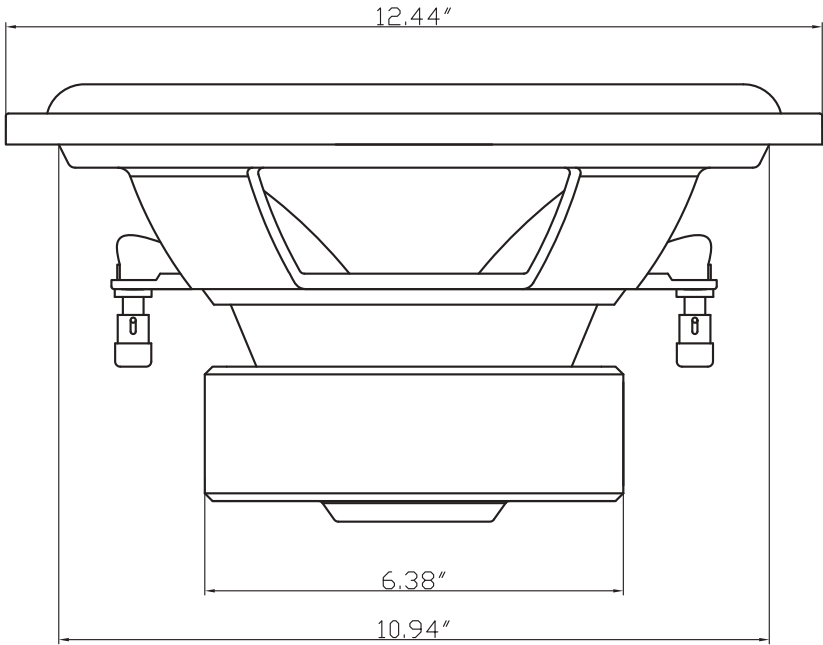
### **BXW-124 Recommended Sealed Enclosures**

	<b>Volume (ft<sup>3</sup>)</b>	<b>QTC</b>	<b>Tuning (Hz)</b>
<b>Min.</b>	1.25	.884	52.5
<b>Opt.</b>	1.50	.785	50.3
<b>Max.</b>	1.75	.725	49.5

### **BXW-124 Recommended Ported Enclosures**

	<b>Volume (ft<sup>3</sup>)</b>	<b>Round Port</b>	<b>Tuning (Hz)</b>
<b>Min.</b>	2.25	3" x 12"L	33.3
<b>Opt.</b>	2.50	4" x 12"L	31.1
<b>Max.</b>	2.75	4" x 14"L	29.3

# DIMENSIONS



**SOUNDSTREAM TECHNOLOGIES®**  
**1550 SOUTH MAPLE AVE.**  
**MONTEBELLO, CA 90640**

SPECIFICATIONS & DESIGNS ARE SUBJECT TO CHANGE WITHOUT NOTICE